

[54] COMPUTER CABINET

[75] Inventors: Seymour R. Cray, Jr., Lilydale, Minn.; Maurice Dean Roush, Chippewa Falls, Wis.

[73] Assignee: Cray Research, Inc., Chippewa Falls, Wis.

[**] Term: 14 Years

[21] Appl. No.: 701,077

[22] Filed: Jun. 30, 1976

[51] Int. Cl. D14-02
[52] U.S. Cl. D14/40
[58] Field of Search D14/40-50; D13/40

[56]

References Cited

U.S. PATENT DOCUMENTS

D. 233,758 11/1974 Cray et al. D14/40

Primary Examiner—Susan J. Lucas
Attorney, Agent, or Firm—Ralph F. Merchant

[57]

CLAIM

The ornamental design for a computer cabinet, substantially as shown and described.

DESCRIPTION

FIG. 1 is a view in perspective of a computer cabinet showing our new design; FIG. 2 is a view in top plan thereof; FIG. 3 is a side elevational view thereof as seen from the bottom looking up of FIG. 2; FIG. 4 is a side elevational view thereof as seen from the side opposite that shown in FIG. 3; and FIG. 5 is a side elevational view thereof as seen from right to left of FIG. 3, the side opposite that shown being a mirror image. The bottom not shown is substantially plain.

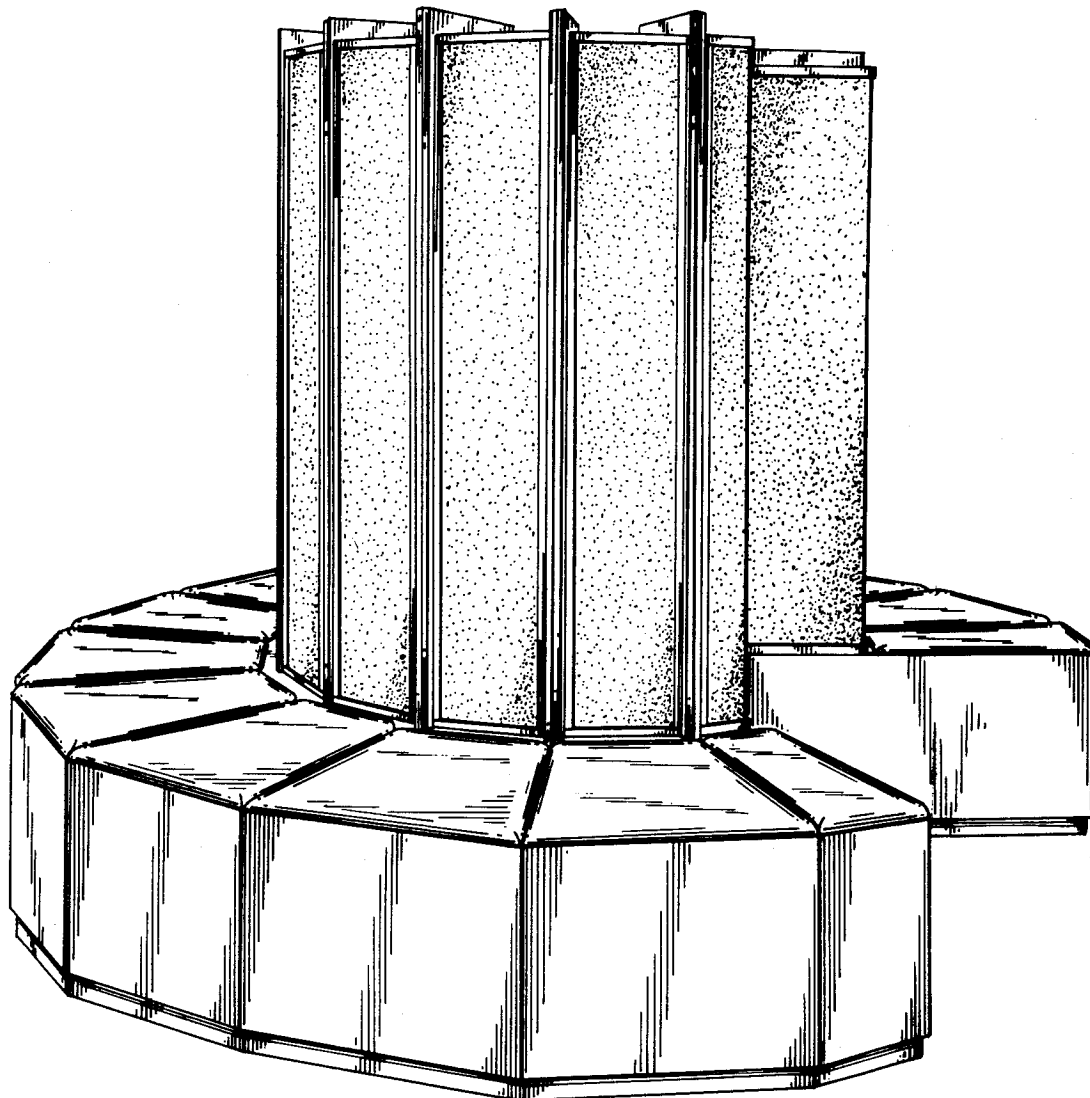


FIG. 1

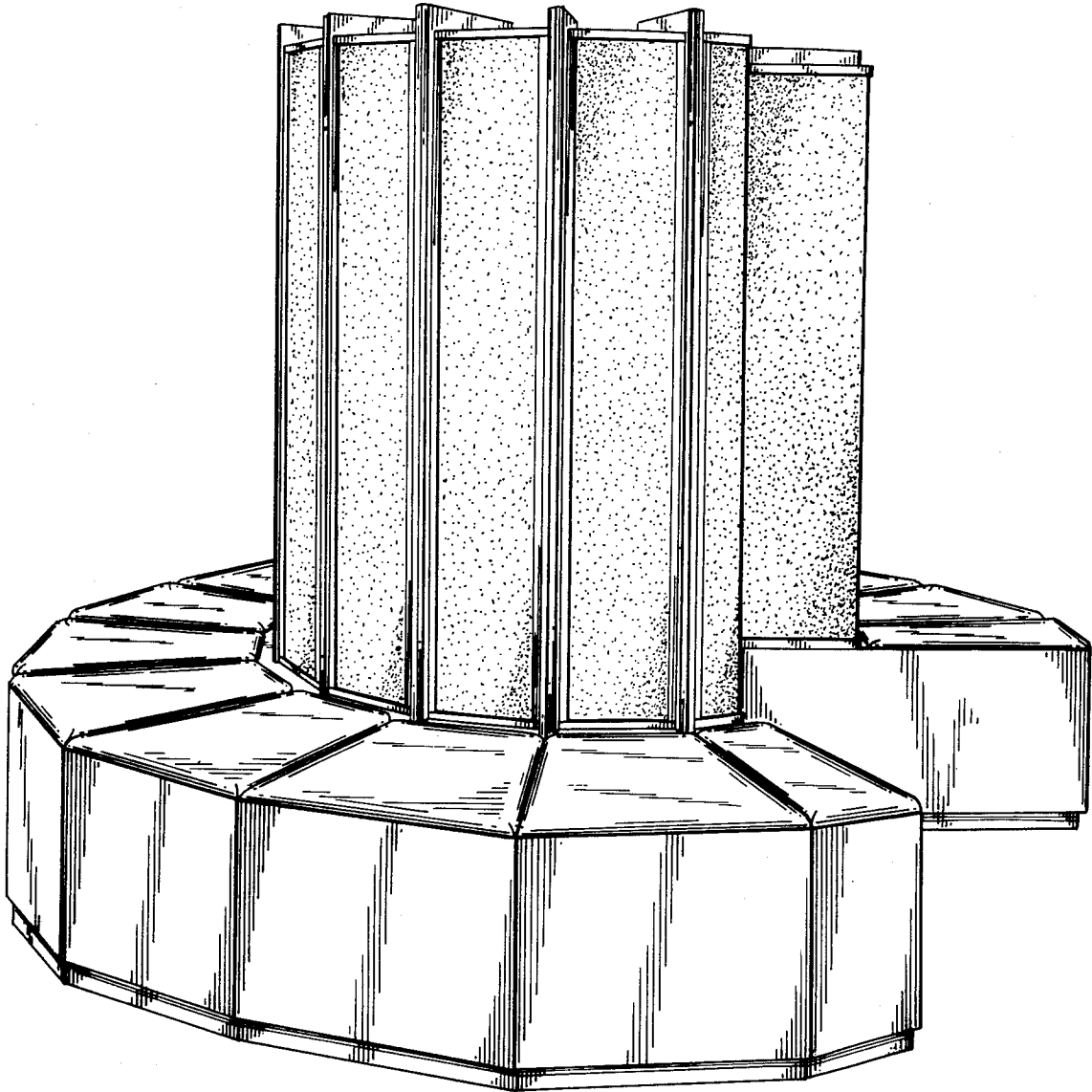


FIG. 2

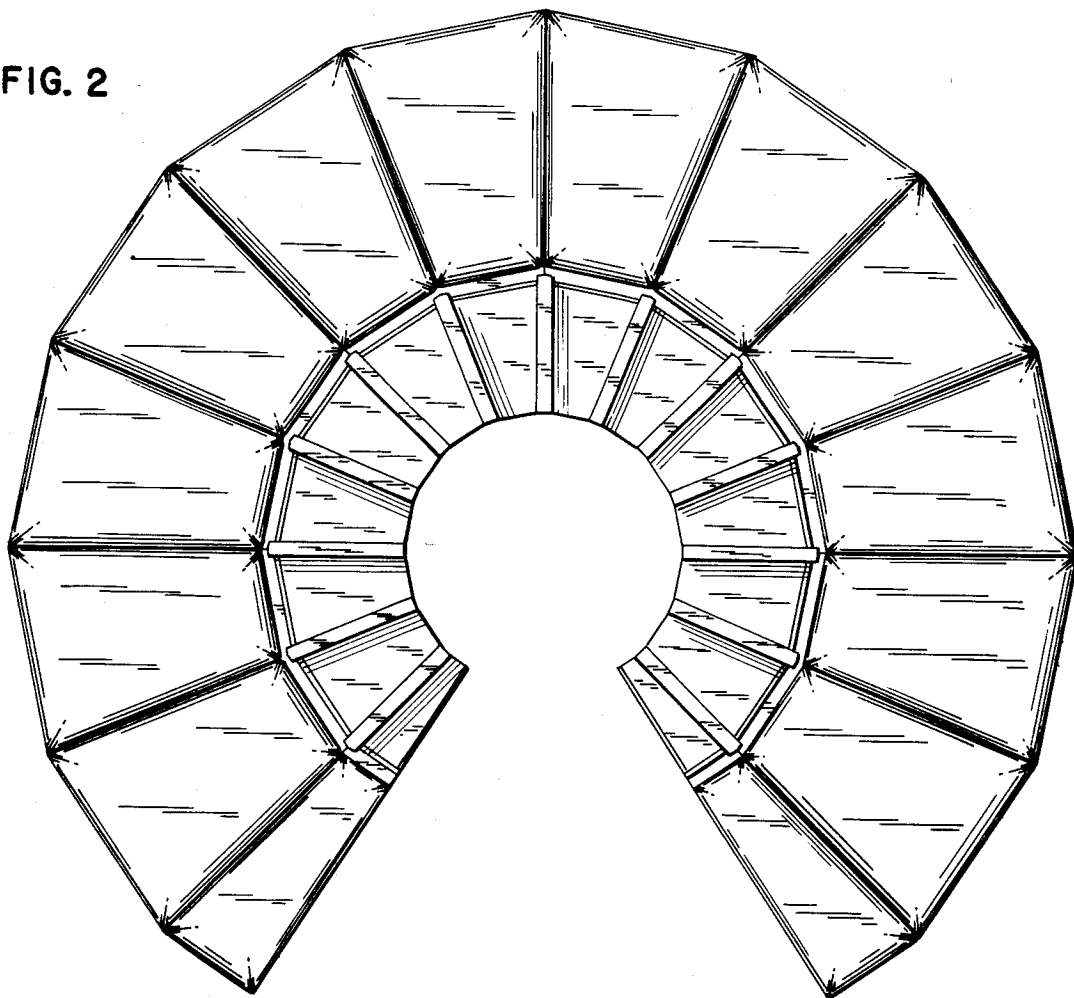


FIG. 3

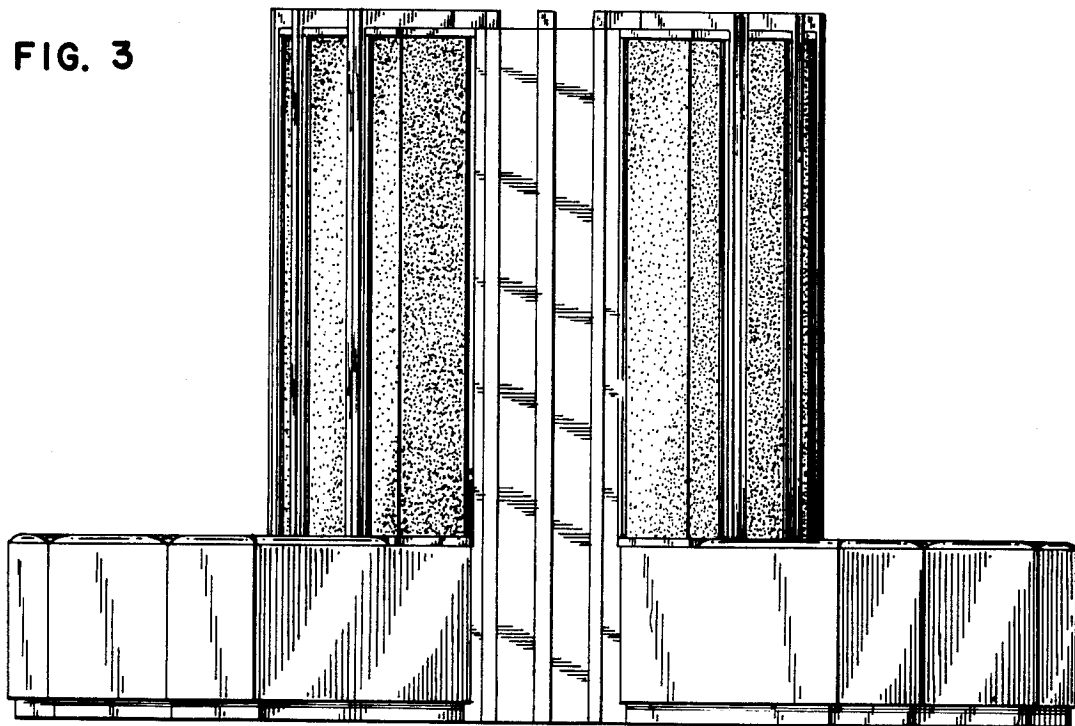


FIG. 4

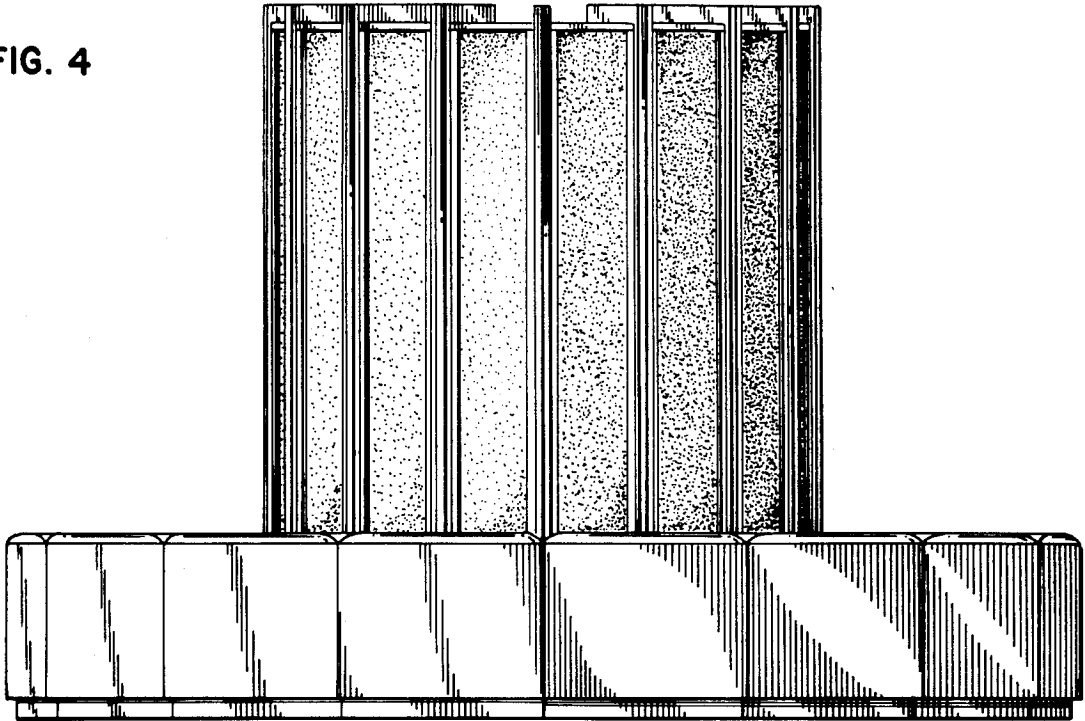


FIG. 5

